



Pneumatic
Brake caliper
tool

K 244



SAFETY AND PRECAUTION

- 1 Always follow instructions provided by the vehicle manufacturer regarding handling and safety measures.
- 2 Always use safety clothes such as gloves and goggles

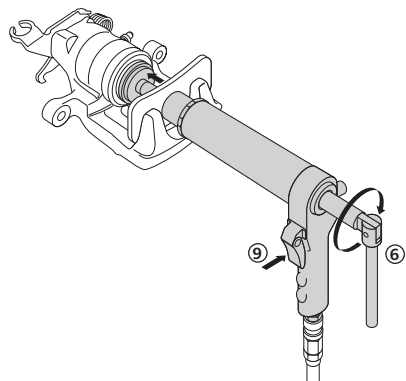
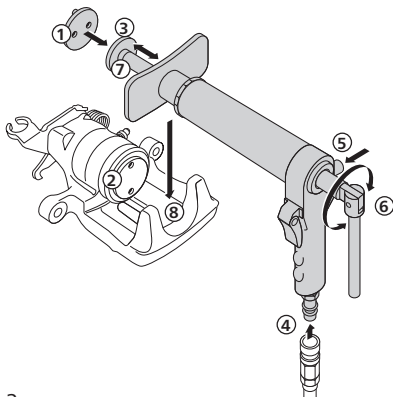
PRODUCT SPECIFICATIONS

The set contains one air powered wind back tool and 15 adapters, see specification. More adapters can be found on www.kamasatools.com under the heading for K 244.

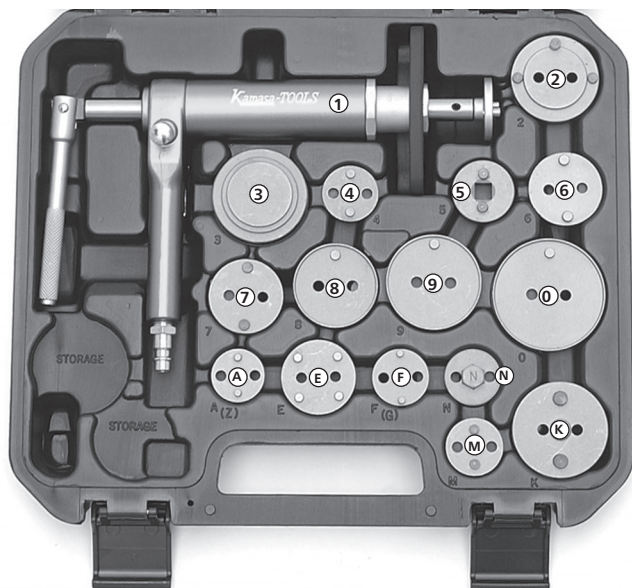
The tool is designed to be used between 5 and 8 bar

OPERATION INSTRUCTIONS

- 1 Remove the caliper from its carrier and take out the brake pads
- 2 Choose an adapter (1) suitable for working on the brake caliper piston (2). Fit it on to magnetic adapter (3). Connect the tool to the compressed air line (4), making sure that it does not exceed 8 bar pressure.
- 3 Position the tool into the caliper
- 4 Press the release button (5) and operate lever (6) to move the push spindle (7) forward or backward and fit the tool in to the caliper and piston (8).
- 5 Press button (9) and rotating lever (6) to rotate the brake caliper piston (2).
- 6 After pushing the piston backward, press button (5) and pull lever (6) to move the push spindle (7) backward, releasing the tool from the caliper.



INCLUDED ADAPTERS



Pos.	Stock No.	Description
1	KR 244 1	Wind back tool
0	KR 244 0	Adapter
2	KR 244 2	Adapter
3	KR 244 3	Adapter
4	KR 244 4	Adapter
5	KR 244 5	Adapter
6	KR 244 6	Adapter
7	KR 244 7	Adapter
8	KR 244 8	Adapter
9	KR 244 9	Adapter
A	KR 244 A	Adapter
E	KR 244 E	Adapter
F	KR 244 F	Adapter
K	KR 244 K	Adapter
M	KR 244 M	Adapter
N	KR 244 N	Adapter



K 244

www.kamasatools.com