



Oil filler K 10600



SAFETY AND PRECAUTION

Read these instructions before starting the refilling process

- 1 Wear eye and skin protectors
- 2 Max pressure is 1,7 bar, do not exceed this limit
- 3 If the oil filler unit is hanged under a vehicle, make sure this is done in a safe way
- 4 After use, release pressure by carefully opening the filler cap.
- 5 Always follow instructions provided by the vehicle manufacturer regarding handling and safety measures

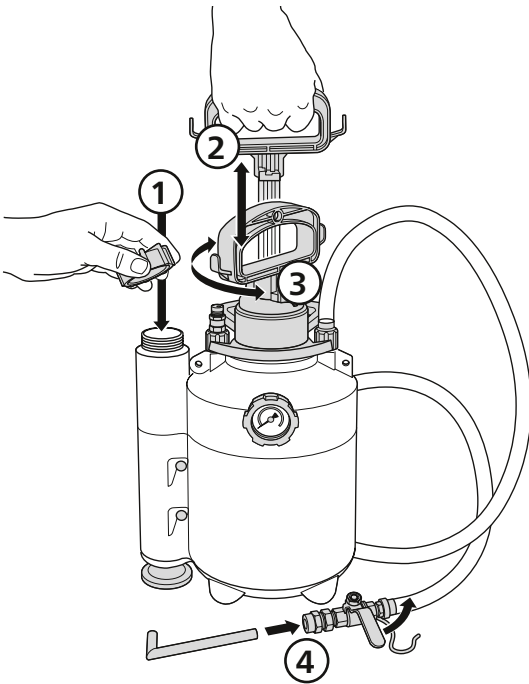
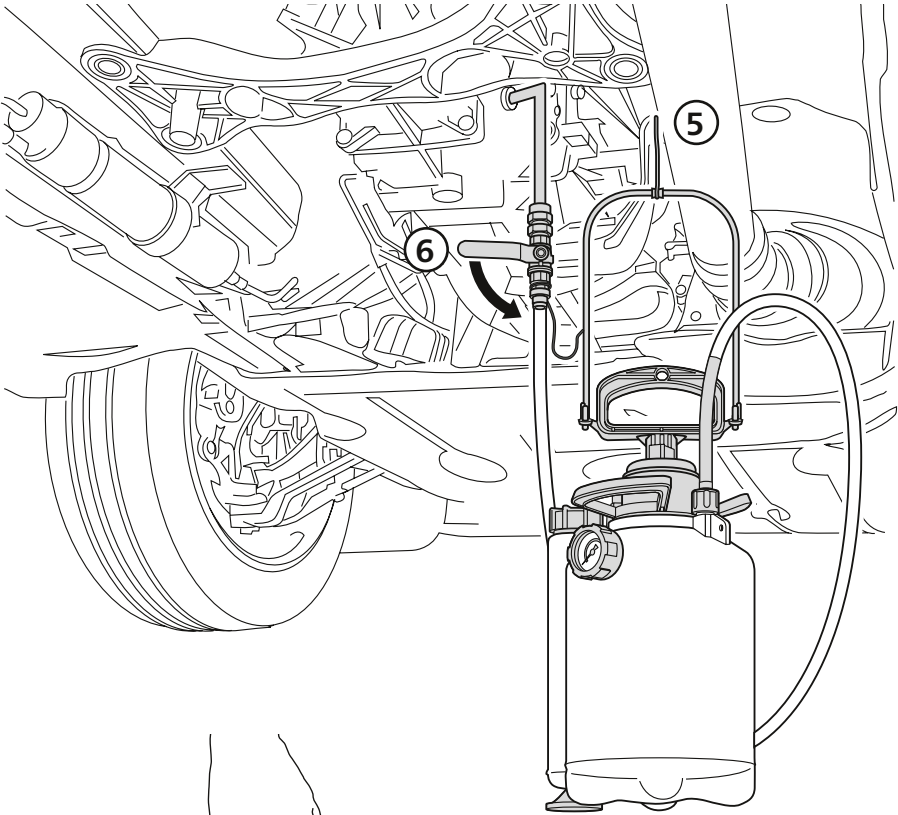
PRODUCT SPECIFICATIONS

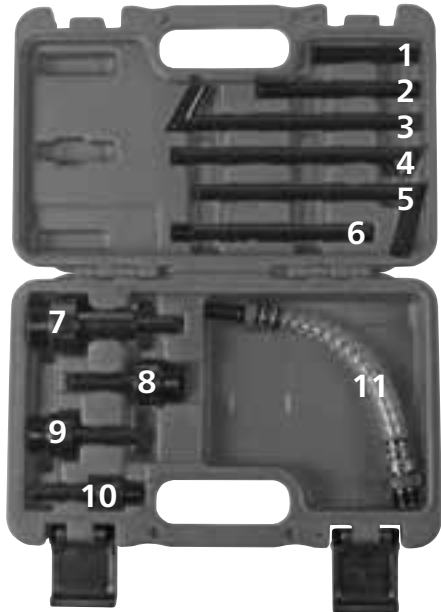
Max pressure: 1,7 bar

Max volume: 5 lit

OPERATION INSTRUCTIONS

- 1 Drain the oil and find the filling plug as described by the vehicle manufacturer.
- 2 Before filling the container, check that no residue from other fluids are left. These could have a negative impact on the end result.
- 3 Fill fluid in the container by opening the filling cap (1) and fill max 5L.
- 4 Release the pump handle by turning it clock wise (2) and pump up a pressure, max 1.7 bar.
- 5 Lock the pump handle by putting it in its lowest position and turning it anticlockwise (3).
- 6 Find a suitable filling tube or filling adapter and attach it on the ball valve by opening the locking nut, inserting the tube/ adapter and locking it (4).
- 7 If preferred, attach the hanger to the filler unit and hang it on a safe and suitable place under the car (5).
- 8 Start the filling process by opening the ball valve carefully (6).





PART LIST

Pos.	Parts No.	Description
1	K 10602	Oil filler tube, straight, L= 55 mm. Fit among others: Volvo
2	K 10603	Oil filler tube, straight L=85 mm. Fit among others: VW/ Audi, Mini Cooper
3	K 10604	Oil filler tube with bend, L=150 mm. Fit among others: VW/ Audi, Porsche
4	K 10605	Oil filler tube with short bend, L= 150 mm. Fit among others: VW/ Audi
5	K 10606	Oil filler tube with bend L=140 mm. Fit among others: BMW Honda, Nissan
6	K 10607	Oil filler tube straight 110 mm. Fit among others: Ford
7	K 10608	Oil filler adapter M30. Fit among others: Skoda
8	K 10609	Oil filler adapter M24. Fit among others: VW/ Audi
9	K 10610	Oil filler adapter M22. Fit among others: DSG gear boxes
10	K 10611	Oil filler adapter M12. Fit among others: Mercedes
11	K 10612	Oil filler adapter with hose M18. Fit among others: Toyota, Lexus

K 10600

www.kamasatools.com