

4.ATTENTION POINTS FOR CABLE USE

- 1.Please cut off the power supply if it is not in use for a long time. When pull out the plug, hold the plug rather than pull cable hard.
- 2.Do not touch cable with wet hands to prevent from electricity hit.
- 3.Do not overload, otherwise cable would be damaged.
- 4.Cable should be prevented from acute tools to protect the insulated jacket.
- 5.The unit should be used in dry area to avoid rust and malfunction.
- 6.Do not touch any chemical substance such as acetone, gasoline etc.
- 7.Please notice that this unit is only used indoor.

5.HOW TO LATCH AND RETRACT HOSE CORRECTLY

The optional-position lock (latest generation), the hose can be stopped any position. The ratchet has alternative modes: locking and unlocking, and the hose is locked and retracted accordingly. The hose is locked when you pull it out and stop; pull it again, the hose is unlocked and retraced when it is released.

6.MAINTENANCE

- 1.Cut off the power before regular maintenance to assure safety. Please do not let the reel touch water in order to prevent from electricity hit.
- 2.Check regularly performance of the cable and make sure no disconnection can affect insulation or function of cable.
- 3.The way is to mount the reel in a sheltered condition to prolong its life.
The metal parts will be affected when exposed outside,particularly under sunlight, which will affect the life of reel housing and retracing wheel.

Data

Cable length: 10+1 m
Rating: AC250V/16A/50HZ
Poles×Section: 3×1.5 mm²
Material: PP

Specifications

Cable length: 10+1 m
Rating: AC250V/16A/50HZ
Poles×Section: 3×1.5 mm²
Material: PP



Electric Cable Reel



Model NO: K 9861

Thank you for purchasing this Kamasa Tools Electric Cable Reel. Before attempting to use the unit, please read this instruction booklet carefully.

1.INTRODUCTION

This reel is made of high-quality material and qualified spare parts, driven and released by the swirled spring,which can rewind the hose automatically. When the hose is pulled out or rewinded, the hose is adjustable in certain length, can be 180° swiveled to enlarge the cover range. If fitted with different kinds of brackets, it is convenient to be installed in any place.

Photo 1: Explosion picture of unit

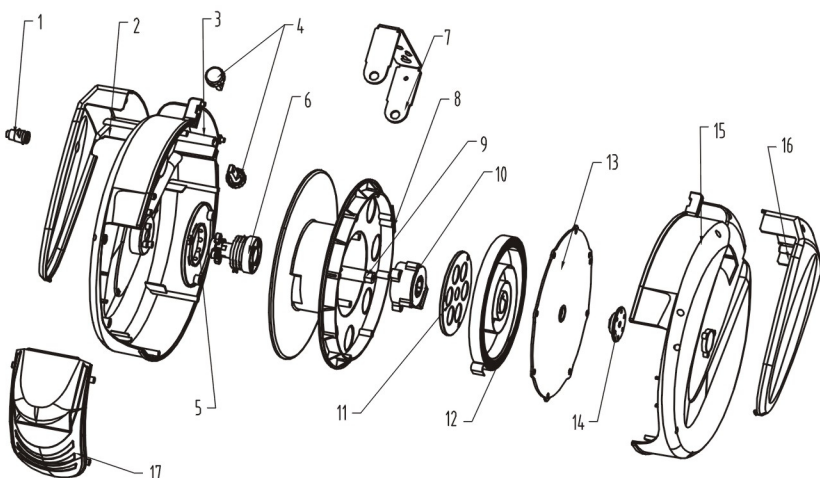


Photo 1

- | | | |
|------------------------------|----------------------------|-----------------------|
| 1. overheating protection | 7. wall bracket | 13.spring outer cover |
| 2. left cover | 8. drum | 14.tension cover |
| 3. left case | 9.main shaft | 15 right case |
| 4. wall bracket pin | 10. optional-position lock | 16. right cover |
| 5 orientation guide plate | 11. drum inner cover | 17. front cover |
| 6. power conversation device | 12.spring | |

2.INSTALLATION :

Two-position mounting: on the wall or ceiling. The mounting bracket can be installed to a brick wall or ceiling. There are many alternative positions in which the unit can be placed, at the users' convenience.(Photo 2)

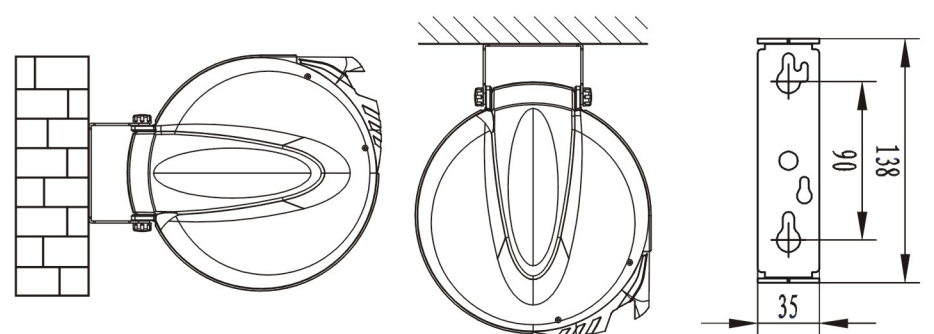


Photo 2

3.ELECTRICITY CONNECTION

Check if the voltage is in accordance with the supplied system. Lighting should be different from different work places and power. Check whether the socket and plug are suitable in certain place if needed. Change the voltage in different places according the local standard.