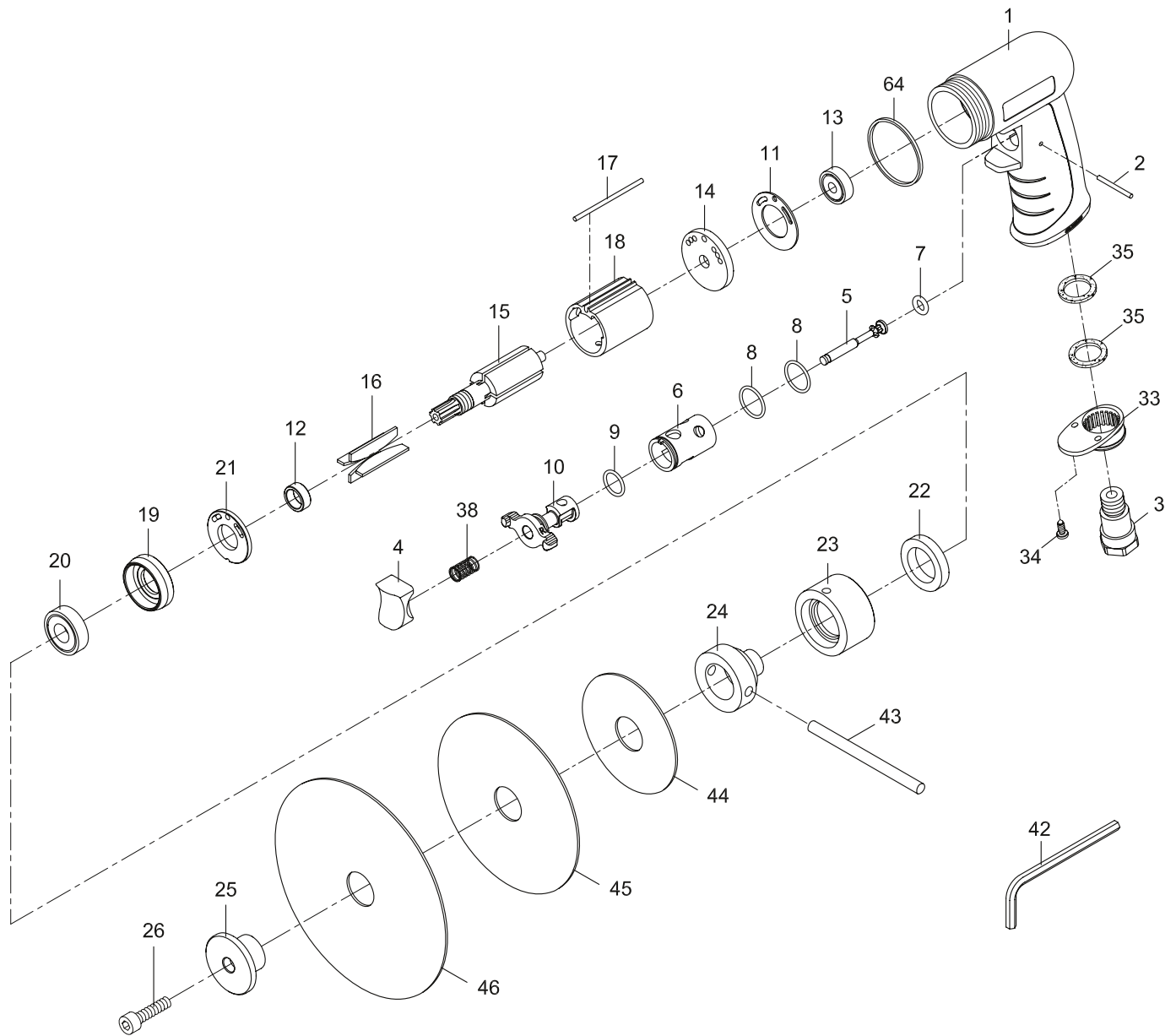


Reversible high speed sander

K 9815



KR 9815-1 Engine repair kit: Pos 7, 8, 9, 11, 16, 38, 64

KR 9815-2 Gearing repair kit: Pos 11, 20, 25, 26, 64

KR 9814-4 Throttle set: Pos 2, 4, 5, 7, 38

KR 9814-5 Air inlet kit: Pos 3, 33, 35

Pos.	Parts No.	Description
1		Motor housing
2	KR 9814-4	Pin
3	KR 9814-5	Air inlet
4	KR 9814-4	Trigger
5	KR 9814-4	Valve stem
6		Valve bushing
7	KR 9815-1, KR 9814-4	O-ring
8	KR 9815-1	O-ring (2 pcs.)
9	KR 9815-1	O-ring
10		Reverse lever
11	KR 9815-1, KR 9815-2	Motor gasket
12		Spacer
13		Ball bearing
14		Rear end plate
15		Rotor
16	KR 9815-1	Rotor blade (4 pcs.)
17		Pin
18		Cylinder

Pos.	Parts No.	Description
19		Front end plate
20	KR 9815-2	Ball bearing
21		Spacer
22		Washer
23		Clamp nut
24		Hub
25	KR 9815-2	Flange washer
26	KR 9815-2	Screw
33	KR 9814-5	Exhaust diffuser
34		Screw (2 pcs.)
35	KR 9814-5	Damping material (2 pcs)
38	KR 9815-1, KR 9814-4	Valve spring
42		Hex. key wrench
43		Rod
44	KR 9815-3	Pad
45	KR 9815-3	Pad
46	KR 9815-3	Pad
64	KR 9815-1, KR 9815-2	Decoration ring