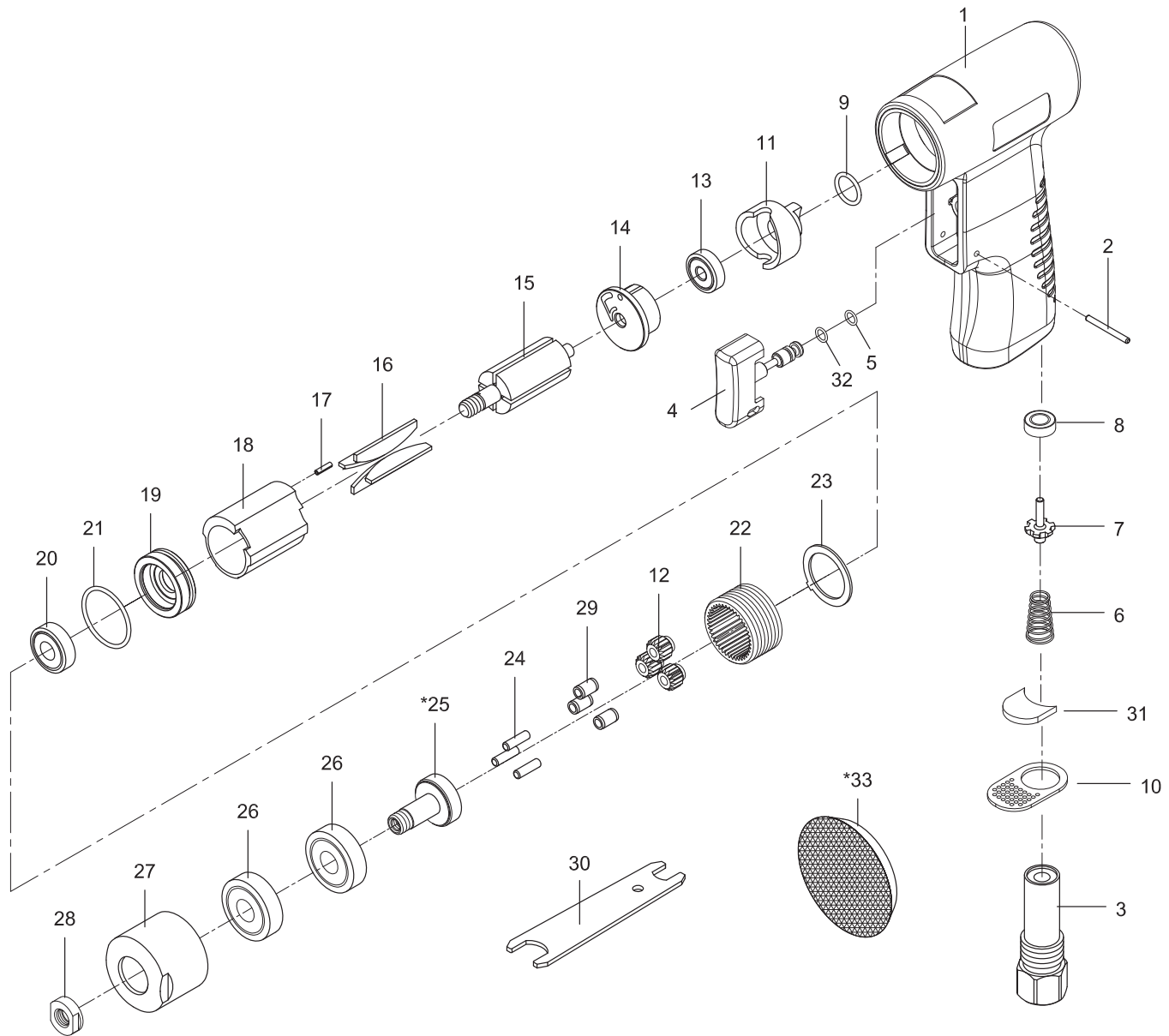


Mini polisher

K 9825



KR 9825-1 Engine repair kit: Pos 5, 9, 16, 21, 32

KR 9825-2 Gearing repair kit: Pos 13, 20, 26

KR 9825-3 Velcro pad 3": Pos 33

Pos.	Parts No.	Description
1		Motor housing
2		Pin
3		Air inlet
4		Trigger
5	KR 9825-1	O-ring
6		Spring
7		Valve stem
8		Rubber spacer
9	KR 9825-1	O-ring
10		Diffuser
11		Air regulator
12		Planet gear (3 pcs.)
13	KR 9825-2	Ball bearing
14		Rear plate
15		Rotor
16	KR 9825-1	Rotor blade (4 pcs.)
17		Spring pin

Pos.	Parts No.	Description
18		Cylinder
19		Front plate
20	KR 9825-2	Ball bearing
21	KR 9825-1	O-ring
22		Internal gear
23		Spacer
24		Pin (3 pcs.)
25		Work spindle 1/4"-20
26	KR 9825-2	Ball bearing
27		Clamp nut
28		Spacer
29		Bushing
30		Spanner (14&19 mm)
31		Damping material
32	KR 9825-1	O-ring
33	KR 9825-3	3 pad Velcro 1/4"-20