

4.HOW TO LATCH AND RETRACT HOSE CORRECTLY

The optional-position lock (latest generation), the hose can be stopped any position. The ratchet has alternative modes: locking and unlocking, and the hose is locked and retracted accordingly. The hose is locked when you pull it out and stop; pull it again, the hose is unlocked and retracted when it is released.

5.MAINTENANCE

- 1.Do not immerse the reel in water to clean.If hose is very dirty, please clean it before retraction.
- 2.The way is to mount the reel in a sheltered condition to prolong its life.
The metal parts will be affected when exposed outside,particularly under sunlight, which will affect the life of reel housing and retracing wheel.

6.SPECIFICATIONS

- 1.Hose length: 10+1 m
- 2.Type of hose: PU
- 3.Pressure: Max 300 psi
- 4.Inner diameter of hose: 3/8"
- 5.Size of inner fitting: 1/4"



Air Hose Reel



Model NO: K 9860

Thank you for purchasing this Kamasa Tools Air Hose Reel. Before attempting to use the unit, please read this instruction booklet carefully.

1.INTRODUCTION

This reel is made of high-quality material and qualified spare parts, driven and released by the swirled spring, which can rewind the hose automatically. When the hose is pulled out or rewinded, the hose is adjustable in certain length, can be 180° swiveled to enlarge the cover range. If fitted with different kinds of brackets, it is convenient to be installed in any place.

Photo 1: Explosion picture of unit

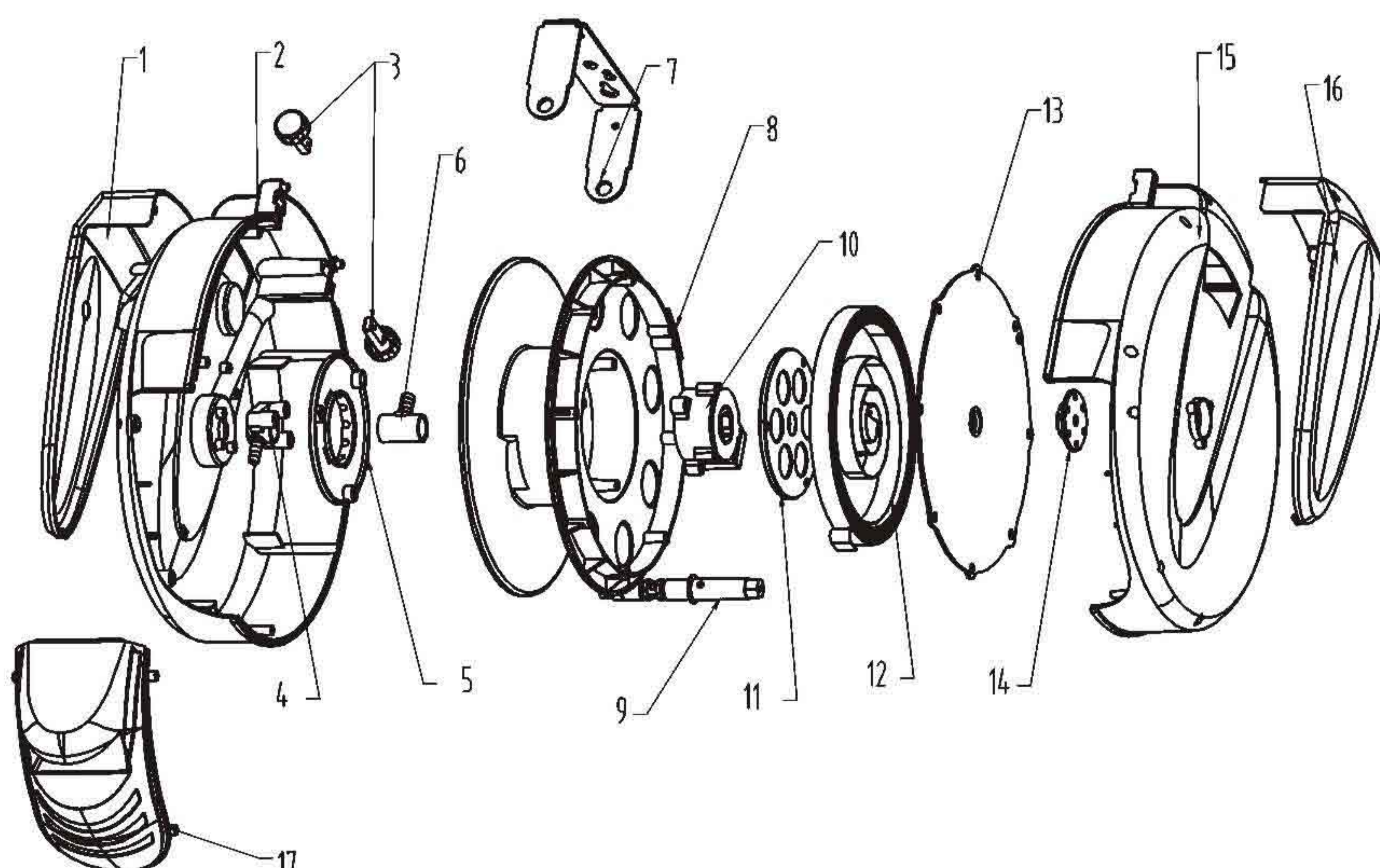


Photo 1

- | | | |
|----------------------------|----------------------------|------------------------|
| 1. left cover | 7. wall bracket | 13. spring outer cover |
| 2. left case | 8. drum | 14. tension cover |
| 3. wall bracket pin | 9. main shaft | 15. right case |
| 4. inlet hose connector | 10. optional-position lock | 16. right cover |
| 5. orientation guide plate | 11. drum inner cover | 17. front cover |
| 6. outlet hose connector | 12. spring | |

2.INSTALLATION :

Two-position mounting: on the wall or ceiling. The mounting bracket can be installed to a brick wall or ceiling. There are many alternative positions in which the unit can be placed, at the users' convenience.(Photo 2)

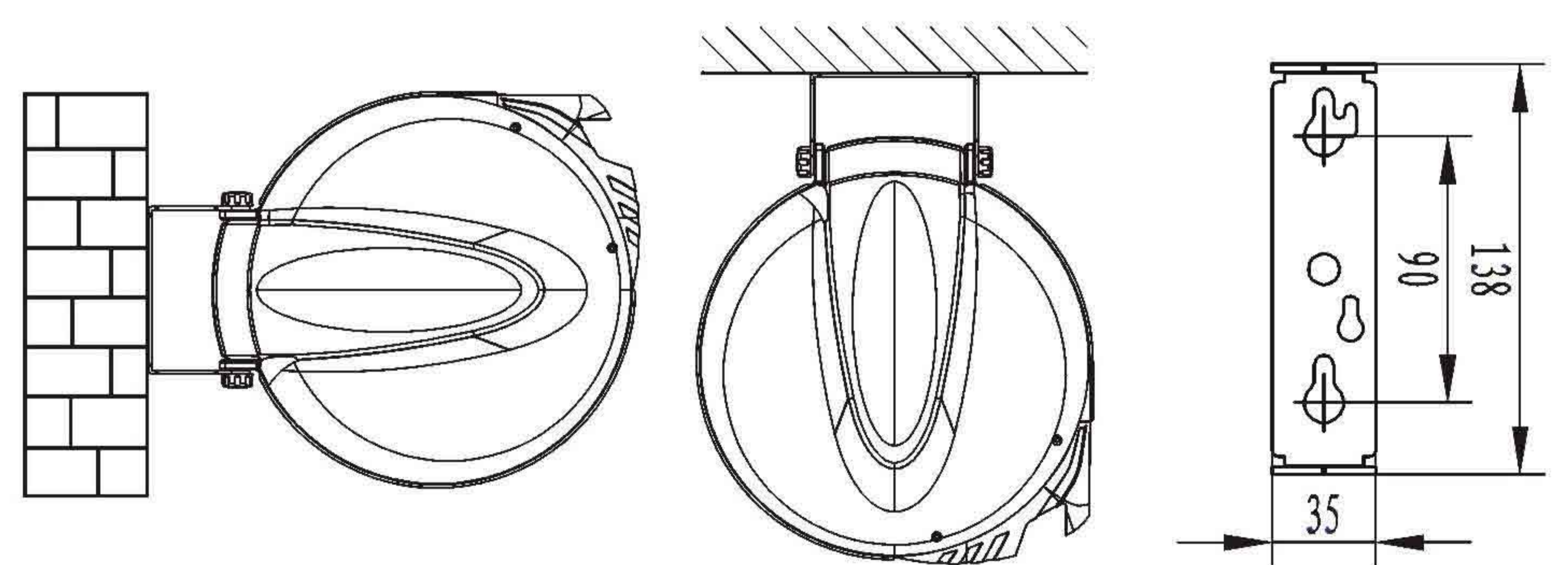


Photo 2

3.ATTENTION POINTS FOR HOSE USE

- 1.After using, please turn off air compressor. In some high temperature, the sunlight will heat the hose, and cause it difficult to rewind.
- 2.It is the best way to turn off the air compressor before retracting the hose.
- 3.Do not leave the reel outside during very low temperature which may cause the hose less flexible and difficult to retract.
- 4.Do not touch any chemical or substance, such as acetone, lactic acid etc.