



Bosch  
common rail  
injector tool set

K 449



# SAFETY AND PRECAUTION

Always follow instructions provided by the vehicle manufacturer regarding handling and safety measures.

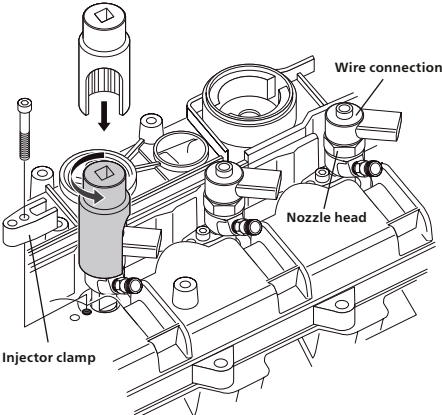
# PRODUCT SPECIFICATIONS

For removing Bosch Diesel injectors. This tool distributes the force over two threads which decreases the risk of damaging the injector.

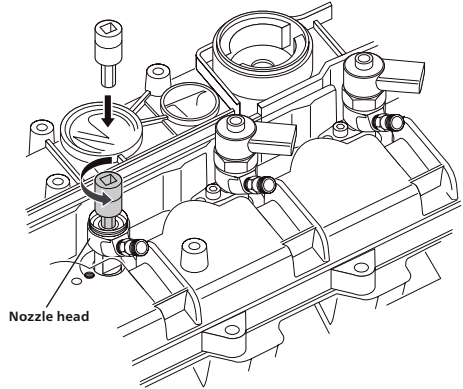
- A. Adapter with outside thread
- B. Adapter with inside thread



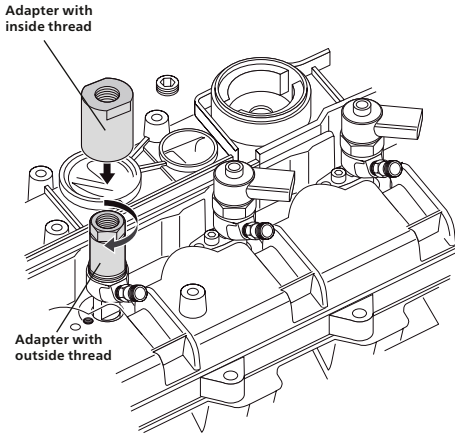
# OPERATION INSTRUCTIONS



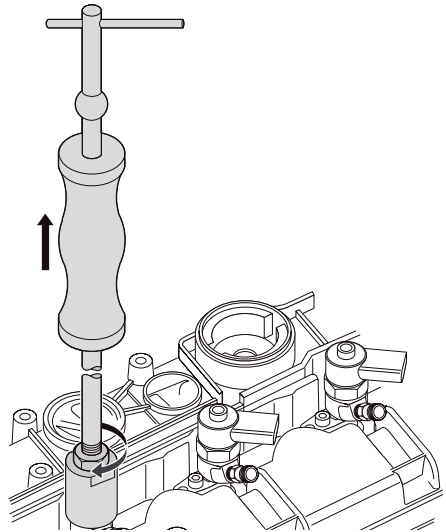
1. Remove the fuel lines and wire connections. Use a injector nozzle socket (K 430–K 434) to remove the nozzle head. Also remove the injector clamp.



2. Use a 10 mm hex bit socket to remove the threaded plug.



3. Screw the adapter with outside thread (A) onto the injector, then screw the adapter with the inside thread (B) over the first adapter.



4. Now, a slide hammer with M16x1,5 thread can be attached.

Slide hammer, K 448, can be used together with adapter K 10281.



## ACCESSORIES

Pos.	Stock No.	Description
1	K 430-K 434	Injector socket nozzle
2	K 448	Sliding hammer
3	K 10281	Adapter



K 449

[www.kamasatools.com](http://www.kamasatools.com)