



Trolley jack
K 21240
K 21241
K 21242



INSTRUCTIONS FOR USE

IMPORTANT

Read these instructions carefully and store this manual in a place where you can easily find it as you may need to use it again. This jack has been designed to elevate cars and light trucks. Any other use beyond the conditions established for use of this jack, are considered to be inappropriate. Please handle the jack correctly and ensure that it is in good condition prior to use. Only authorized persons that have read and understood these instructions should operate the jack. Do not modify the jack in any way. Non-compliance with these instructions may result in injury or damage to the user, the jack or the vehicle to be lifted. The manufacturer accepts no responsibility for improper use of the jack.

SAFETY INSTRUCTIONS

- 1 The vehicle to be lifted shall never exceed the rated capacity of the jack.
- 2 The maximum stroke of the jack indicated on the label shall never be exceeded.
- 3 The jack should be placed on a solid, level and horizontal surface which is well illuminated and free from obstructions. Never place the jack on a surface which may sink.
- 4 Ensure that there are no persons inside the vehicle to be lifted. Switch off the engine and apply the brake. Ensure that the vehicle to be lifted can not slide in any direction. Do not enter the vehicle or start the engine whilst it is supported on appropriate stands. The jack is a lifting device only and should never be used to move a vehicle.
- 5 Position the jack under the manufacturers recommended lifting point for the vehicle and ensure that it is not corroded, dirty or greasy. The lifting point should remain centered over the jack saddle, all off-centered loads can slip and may result in accidents.
- 6 During raising and lowering of the load, all precautions should be taken to avoid movement of the vehicle load. Traffic may cause the raised vehicle to rock during roadside use of the jack.
- 7 The jack should be positioned so as to avoid the need for the user to place any part of his/ her body underneath the vehicle. Never work under a raised vehicle without supporting it with mechanical stands (illustration 3, page 4) or other appropriate methods. Never position any part of your body near the movable parts of the jack.

- 8 It is necessary for the operator to be able to observe the lifting device and the load during all movements. In the presence of dangerous conditions such as movement of the vehicle etc, the lifting process must be discontinued.
- 9 Ensure that there are no persons or obstructions underneath the vehicle prior to lowering.
- 10 As an additional safety measure against overload, the jack is fitted with an overload valve set at the factory which should under no circumstances be adjusted. If nominal capacity of the jack is exceeded, the overload valve will stop the lifting operation.

USE AND OPERATION

- 1 Prior to operate the jack, remove any accumulated air from the system as follows:
 - Insert the handle into the socket and fix it with the screw provided.
 - Pull the handle and turn it clockwise and, whilst held in this position, pump the jack several times to ensure internal lubrication and bleed the accumulated air from the system.
- 2 Release the handle and it will automatically return back to the initial position ("Dead man principle"). The jack is now ready to be used.
Important: Prior to lifting the load, ensure that all of the aforementioned safety instructions are followed.
- 3 The wheels of the jack should always rotate freely.
- 4 These jacks are fitted with a foot pedal that gives a faster approach to the load.
- 5 For lifting, move the handle up and down using the full stroke range of the piston for greater speed (illustration 2, page 4). Secure the lifted load as an essential safety measure with an appropriate axle stand (illustration 3, page 4).
- 6 Before lowering, lift the vehicle to remove the axle stands, ensuring that there are no persons or obstacles under the vehicle to be lowered. Pull the handle and turn it clockwise (illustration 4, page 4).
- 7 Our jacks are fitted with a safety device LCS that functions automatically and offers smooth and uniform lowering.
- 8 Once the vehicle has been lowered, release the handle and it will automatically return back to the initial position.

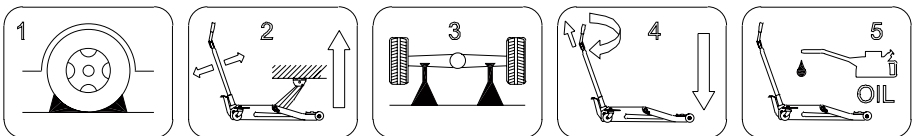
MAINTENANCE

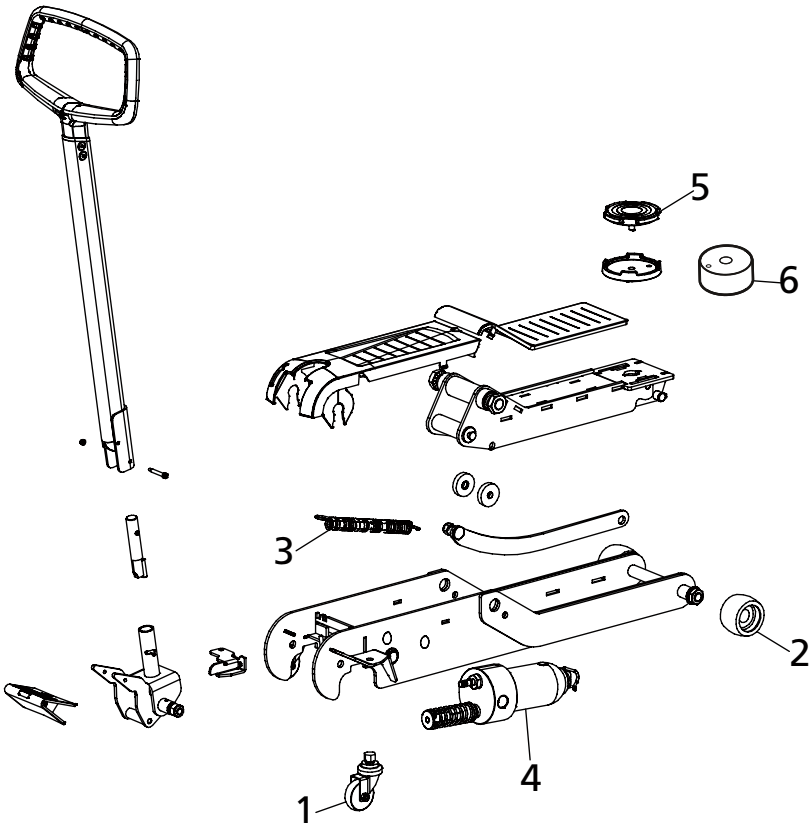
Important: Both the maintenance and the repair of the jack should only be performed by qualified persons who have sufficient knowledge of the hydraulic systems used in these devices.

- 1 Keep the jack clean and lubricate all moving parts at regular intervals (illustration 5, page 4), which must be clean and protected from aggressive conditions at all times.
- 2 Only original spare parts should be used.
- 3 Prior to each use, check for bent, broken, cracked or loose parts and solve the problem in an appropriate way. If it is suspected that the jack has been subjected to abnormal loads or has suffered any knocks, withdraw it from duty until the problem has been solved.
- 4 If the oil level needs to be checked or adjusted, with the piston fully retracted, remove the filler plug and drain its contents into a container. With the jack in a horizontal position, proceed to introduce the necessary volume: K 21240: 0.215L, K 21241: 0.270L, K 21242: 0,200L. Make sure that no dirt enters the new oil. Following a period of prolonged intensive use, it is recommendable to change the oil in order to extend the lifetime of the jack.

Important: To overfill the oil level may render the jack inoperative.

- 5 Only use hydraulic oil type HLP 32.
Extremely important: Never use brake fluid.
- 6 When the jack is not in use, make sure the lifting arm is fully retracted to avoid corrosion.
Apply an anti-corrosion product to the pistons, if appropriate.
- 7 Keep the jack in a clean, dry place and out of children reach.
- 8 At the jacks lifetime, drain off the oil and hand it over to an authorised agent and dispose of the jack in accordance with local regulations.





SPARE PARTS LIST K 21240/K21241/K21242

Pos.	Parts No. K21240	Parts No. K21241	Parts No. K21242	Description
1	K 21243	K 21244	K 21243	Rear wheel
2	K 21205	K 21205	K 21205	Front wheel
3	K 21248	K 21248	K 21248	Spring
4	K 21245	K 21246	K 21247	Hydraulic unit
5	K 21249	K 21249	K 21249	Rubber pad
6	K 21207	K 21207	K 21207	Extension



K 21240 | K 21241 | K 21242

www.kamasatools.com