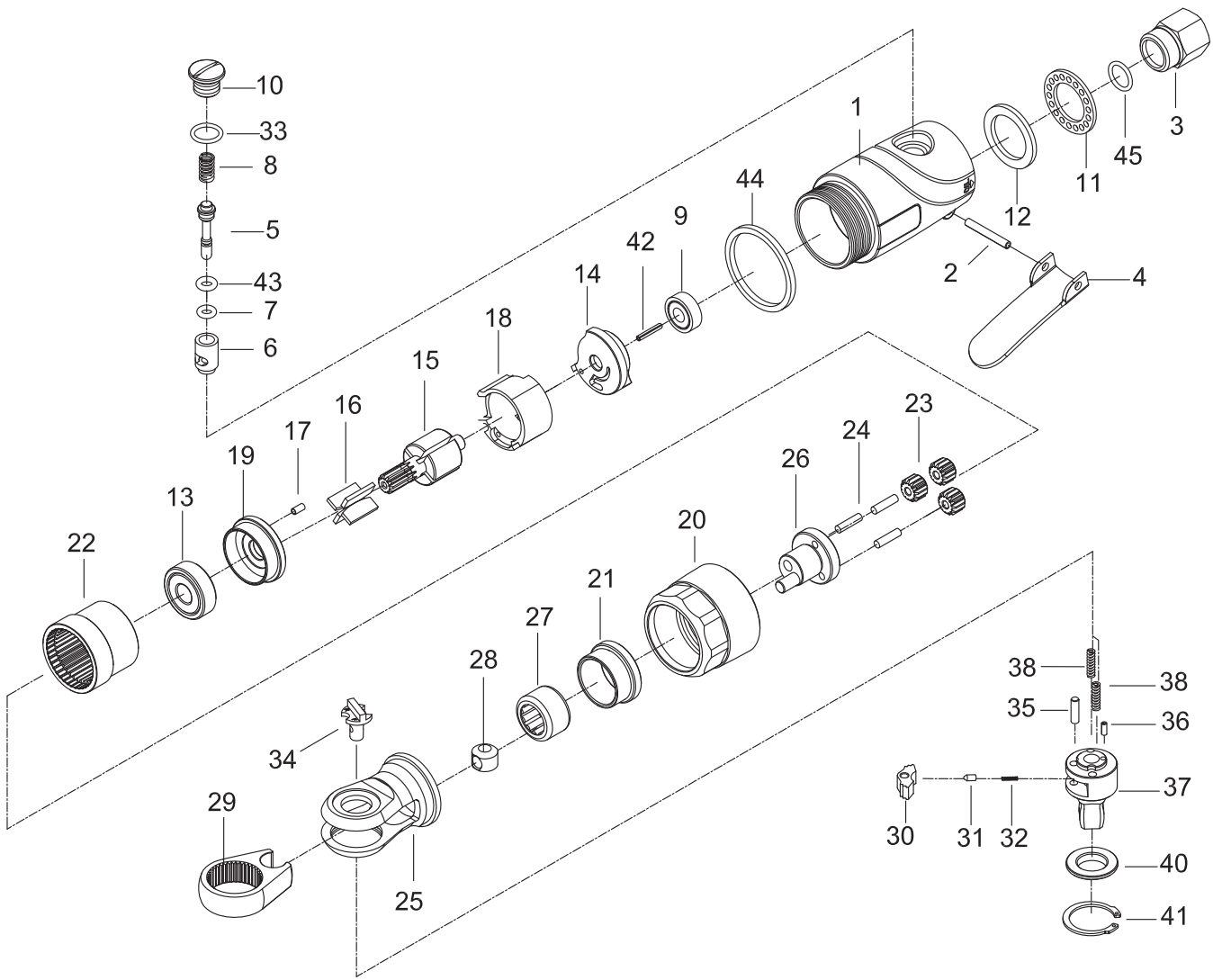


# 3/8" Air ratchet wrench

K 9807



**KR 9806-1** Engine repair kit: Pos 7, 8, 16, 33, 43, 44, 45

**KR 9807-2** Gearing repair kit: Pos 30, 31, 32, 34, 36, 37, 38, 40, 41

**KR 9806-3** Throttle set: Pos 2, 4

**KR 9806-4** Air inlet kit: Pos 3, 11, 12, 45

**KR 9806-5** Crank shaft and drive bushing set: Pos 26, 28

Pos.	Parts No.	Description
1		Motor housing
2	KR 9806-3	Spring pin
3	KR 9806-4	Air inlet
4	KR 9806-3	Throttle lever
5		Valve stem
6		Valve bushing
7	KR 9806-1	O-ring
8	KR 9806-1	Spring
9		Ball bearing
10		Throttle valve plug
11	KR 9806-4	Exhaust diffuser
12	KR 9806-4	Damping material
13		Ball bearing
14		Rear end plate
15		Rotor
16	KR 9806-1	Vane (4 pcs.)
17		Spring pin
18		Cylinder
19		Front end plate
20		Clamp nut
21		Needle housing
22		Internal gear

Pos.	Parts No.	Description
23		Planet gear
24		Pin (3 pcs.)
25		Ratchet housing
26	KR 9806-5	Crank shaft
27		Needle bearing
28	KR 9806-5	Drive bushing
29		Yoke
30	KR 9807-2	Ratchet pawl
31	KR 9807-2	Spring cap
32	KR 9807-2	Spring
33	KR 9806-1	O-ring
34	KR 9807-2	Reverse shaft
35		Pin
36	KR 9807-2	Spring pin
37	KR 9807-2	Square anvil 3/8"
38	KR 9807-2	Spring (2 pcs.)
40	KR 9807-2	Thrust washer
41	KR 9807-2	Retainer ring
42		Spring pin
43	KR 9806-1	O-ring
44	KR 9806-1	Rubber ring
45	KR 9806-1, KR 9806-4	O-ring